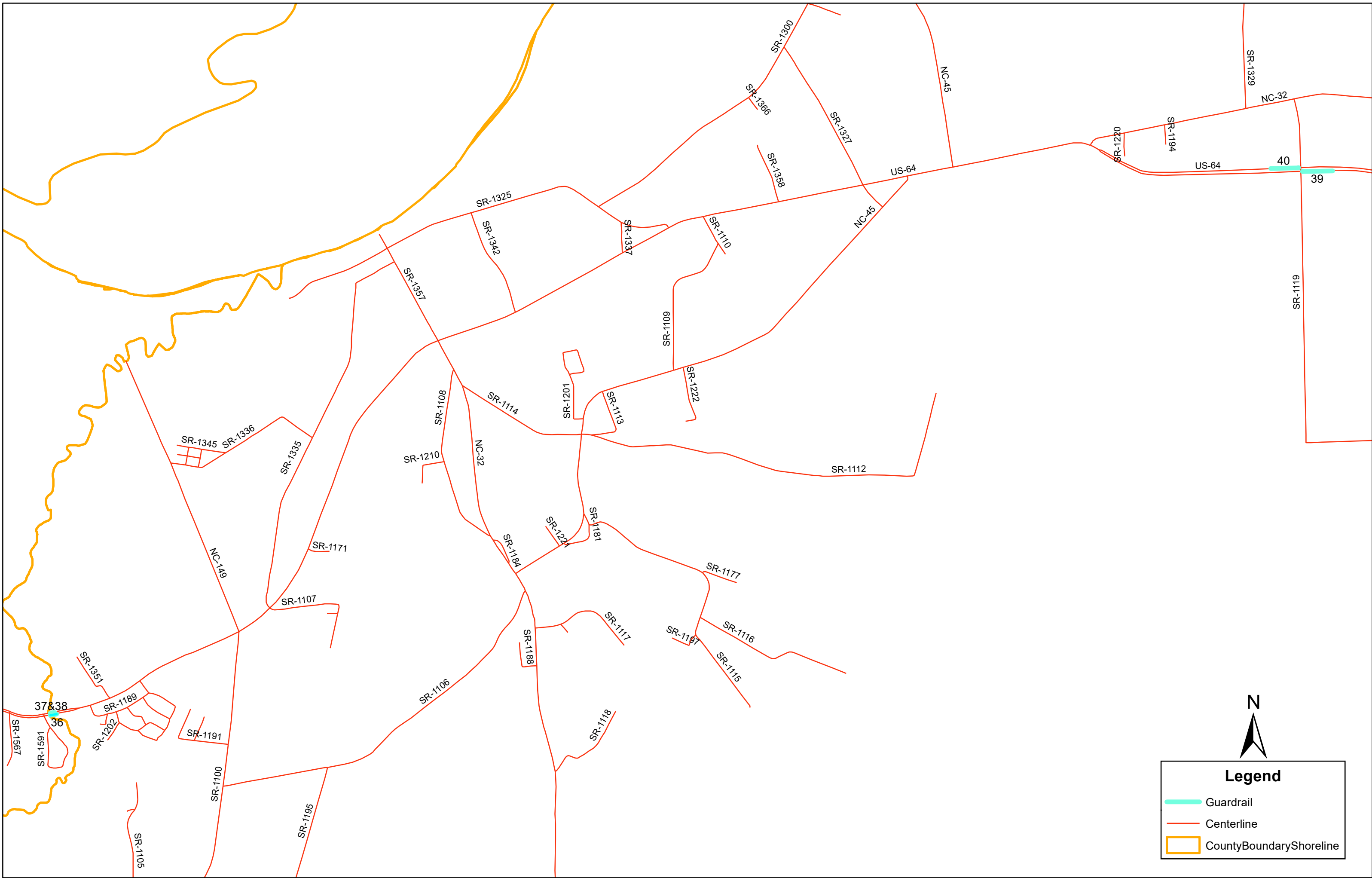


Legend

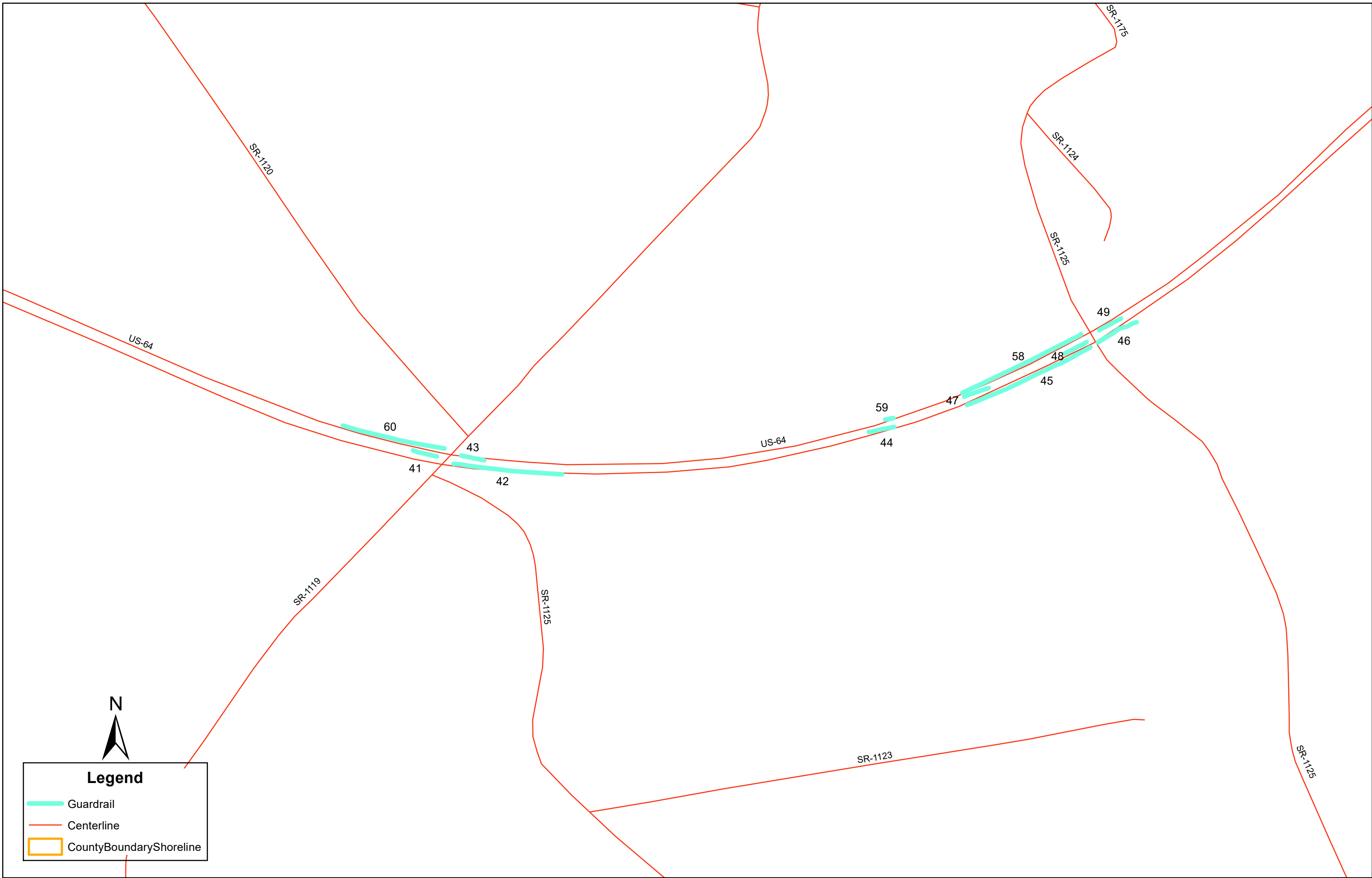
- Guardrail
- Centerline
- CountyBoundaryShoreline





Legend

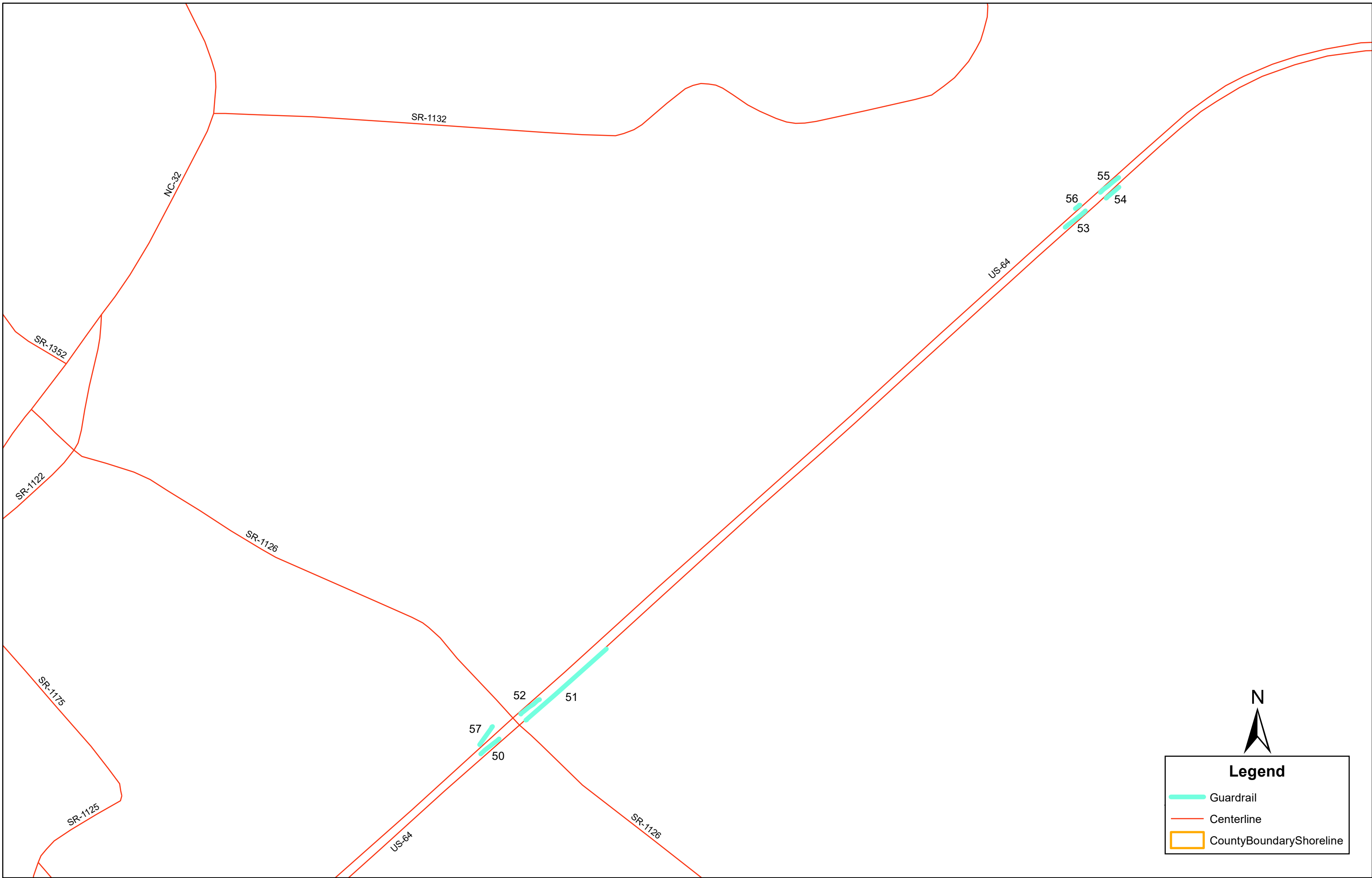
- Guardrail
- Centerline
- CountyBoundaryShoreline



Legend

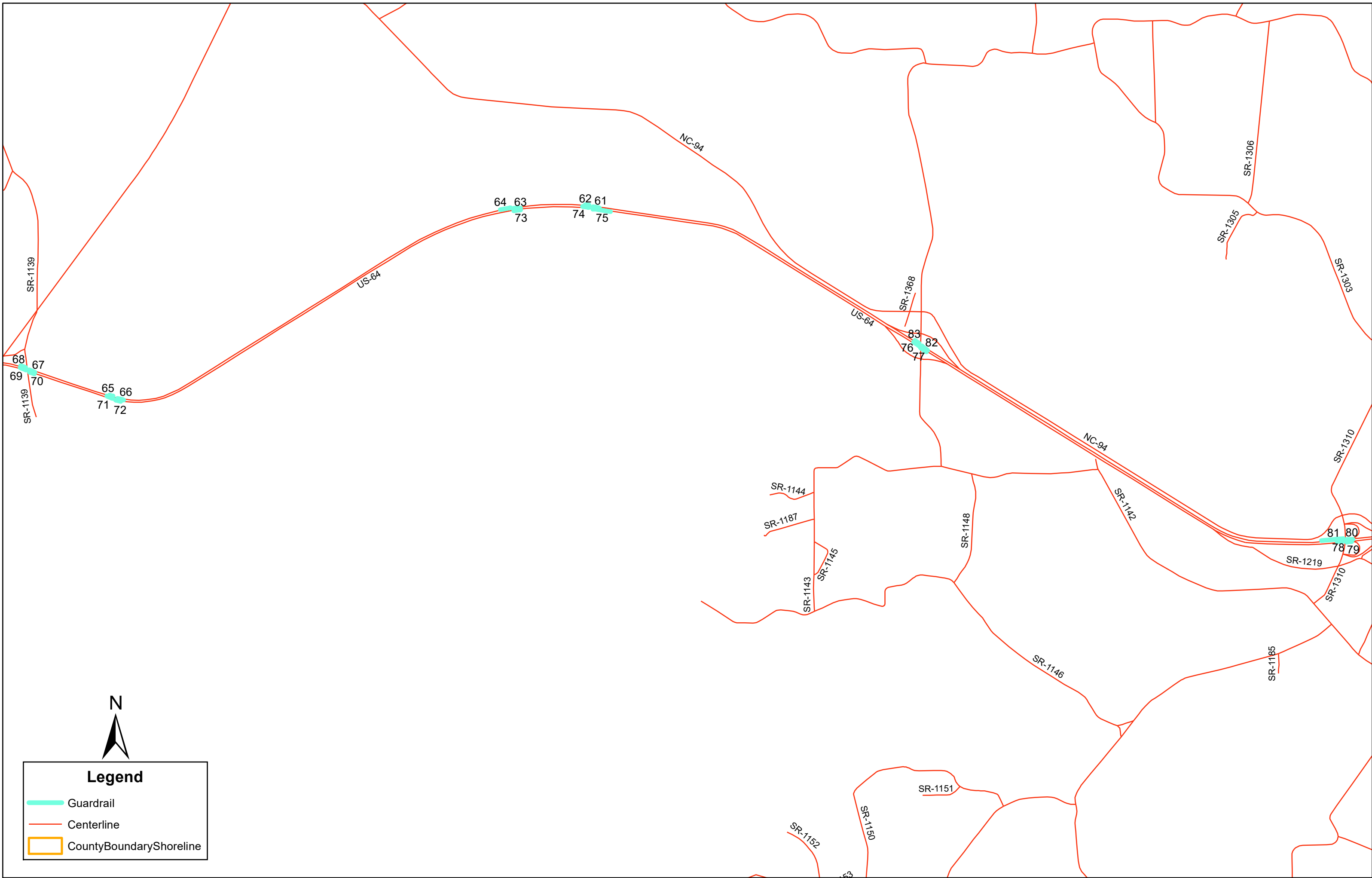
- Guardrail
- Centerline
- CountyBoundaryShoreline





Legend

- Guardrail
- Centerline
- County Boundary Shoreline



Legend

- Guardrail
- Centerline
- CountyBoundaryShoreline



County	Use	Material	Start Structure	End Structure	Shape Length (ft)	Route Type	Route	Map ID	Map #
Chowan	Bridge	Guardrail	C.A.T.1	Other	200.998113	US	US-17	1	1
Chowan	Roadways	Guardrail	C.A.T.1	Other	984.4239551	US	US-17	2	1
Chowan	Bridge	Guardrail	C.A.T.1	Other	68.55886059	US	US-17	3	1
Chowan	Bridge	Guardrail	C.A.T.1	Other	78.19398287	US	US-17	4	1
Chowan	Bridge	Guardrail	C.A.T.1	Other	109.6158351	US	US-17	5	1
Chowan	Bridge	Guardrail	C.A.T.1	Other	1813.56221	US	US-17	6	1
Chowan	Bridge	Guardrail	Other	C.A.T.1	2073.593916	US	US-17	7	1
Chowan	Roadways	Guardrail	C.A.T.1	C.A.T.1	805.2058409	US	US-17	8	1
Chowan	Roadways	Guardrail	C.A.T.1	A.T.1	599.4519303	US	US-17	9	1
Chowan	Roadways	Guardrail	C.A.T.1	C.A.T.1	449.4583873	US	US-17	10	1
Chowan	Bridge	Guardrail	C.A.T.1	Other	165.7589681	US	US-17	11	1
Chowan	Roadways	Guardrail	C.A.T.1	C.A.T.1	620.2463774	US	US-17	12	1
Pasquotank	Bridge	Guardrail	Other	C.A.T.1	2113.910237	US	US-17	13	2
Pasquotank	Bridge	Guardrail	C.A.T.1	Other	186.8540104	US	US-17	14	2
Pasquotank	Bridge	Guardrail	C.A.T.1	Other	196.9811187	US	US-17	15	2
Pasquotank	Bridge	Guardrail	C.A.T.1	Other	1251.665306	US	US-17	16	2
Pasquotank	Bridge	Guardrail	Other	C.A.T.1	693.1101035	US	US-17	17	2
Pasquotank	Bridge	Guardrail	Other	C.A.T.1	240.2103805	US	US-17	18	2
Pasquotank	Bridge	Guardrail	C.A.T.1	Other	1193.272247	US	US-17	19	2
Pasquotank	Bridge	Guardrail	C.A.T.1	C.A.T.1	305.9634964	US	US-17	20	2
Pasquotank	Roadways	Guardrail	Other	C.A.T.1	278.3520112	US	US-17	21	2
Pasquotank	Bridge	Guardrail	C.A.T.1	Other	1213.889483	US	US-17	22	2
Pasquotank	Bridge	Guardrail	C.A.T.1	Other	1323.492798	US	US-17	23	2
Pasquotank	Bridge	Guardrail	C.A.T.1	Other	732.1340743	US	US-17	24	2
Tyrell	Bridge	Guardrail	C.A.T.1	Other	223.4689209	US	US-64	25	3
Tyrell	Bridge	Guardrail	C.A.T.1	Other	849.9524157	US	US-64	26	3
Tyrell	Bridge	Guardrail	C.A.T.1	Other	226.6467344	US	US-64	27	3
Tyrell	Bridge	Guardrail	Other	C.A.T.1	827.432614	US	US-64	28	3
Tyrell	Bridge	Guardrail	Other	C.A.T.1	37.55488785	US	US-64	29	3
Tyrell	Bridge	Guardrail	C.A.T.1	Other	212.4331197	US	US-64	30	3
Tyrell	Bridge	Guardrail	C.A.T.1	Other	41.64441228	US	US-64	31	3
Tyrell	Bridge	Guardrail	Other	C.A.T.1	365.4699394	US	US-64	32	3
Tyrell	Bridge	Guardrail	Other	C.A.T.1	40.08271971	US	US-64	33	3
Tyrell	Bridge	Guardrail	Other	C.A.T.1	206.4621822	US	US-64	34	3
Tyrell	Bridge	Guardrail	C.A.T.1	Other	200.5903944	US	US-64	35	3
Washington	Bridge	Guardrail	Other	C.A.T.1	221.7516468	US	US-64	36	4
Washington	Bridge	Guardrail	Other	C.A.T.1	766.1107226	US	US-64	37	4
Washington	Bridge	Guardrail	Other	C.A.T.1	215.6130734	US	US-64	38	4

County	Use	Material	Start Structure	End Structure	Shape Length (ft)	Route Type	Route	Map ID	Map #
Washington	Bridge	Guardrail	C.A.T.1	Other	156.2485628	US	US-64	39	4
Washington	Bridge	Guardrail	C.A.T.1	Other	134.1689806	US	US-64	40	4
Washington	Bridge	Guardrail	Other	C.A.T.1	889.9688882	US	US-64	41	5
Washington	Bridge	Guardrail	Other	C.A.T.1	820.0518282	US	US-64	42	5
Washington	Bridge	Guardrail	C.A.T.1	Other	206.2313616	US	US-64	43	5
Washington	Bridge	Guardrail	Other	C.A.T.1	918.1918836	US	US-64	44	5
Washington	Bridge	Guardrail	Other	C.A.T.1	205.6472807	US	US-64	45	5
Washington	Bridge	Guardrail	C.A.T.1	Other	219.0857862	US	US-64	46	5
Washington	Bridge	Guardrail	Other	Other	1146.344444	US	US-64	47	5
Washington	Bridge	Guardrail	Other	C.A.T.1	421.7456066	US	US-64	48	5
Washington	Bridge	Guardrail	Other	C.A.T.1	222.2710475	US	US-64	49	5
Washington	Bridge	Guardrail	C.A.T.1	Other	209.2405599	US	US-64	50	6
Washington	Bridge	Guardrail	Other	C.A.T.1	212.6481102	US	US-64	51	6
Washington	Bridge	Guardrail	C.A.T.1	Other	214.7004092	US	US-64	52	6
Washington	Bridge	Guardrail	Other	C.A.T.1	977.2700458	US	US-64	53	6
Washington	Bridge	Guardrail	Other	C.A.T.1	220.4428444	US	US-64	54	6
Washington	Bridge	Guardrail	C.A.T.1	Other	260.1500363	US	US-64	55	6
Washington	Bridge	Guardrail	Other	C.A.T.1	157.6768467	US	US-64	56	6
Washington	Bridge	Guardrail	Other	C.A.T.1	224.2485792	US	US-64	57	6
Washington	Bridge	Guardrail	Other	C.A.T.1	59.09500833	US	US-64	58	5
Washington	Bridge	Guardrail	Other	C.A.T.1	209.8914244	US	US-64	59	5
Washington	Bridge	Guardrail	Other	Other	1118.387108	US	US-64	60	5
Washington	Bridge	Guardrail	Other	C.A.T.1	99.46899728	US	US-64	61	7
Washington	Bridge	Guardrail	Other	C.A.T.1	879.7805232	US	US-64	62	7
Washington	Bridge	Guardrail	Other	C.A.T.1	217.0266871	US	US-64	63	7
Washington	Bridge	Guardrail	Other	C.A.T.1	127.8485093	US	US-64	64	7
Washington	Bridge	Guardrail	Other	C.A.T.1	222.3210417	US	US-64	65	7
Washington	Bridge	Guardrail	Other	C.A.T.1	403.6087743	US	US-64	66	7
Washington	Bridge	Guardrail	Other	C.A.T.1	128.5812844	US	US-64	67	7
Washington	Bridge	Guardrail	C.A.T.1	Other	221.3476652	US	US-64	68	7
Washington	Bridge	Guardrail	Other	C.A.T.1	219.9189256	US	US-64	69	7
Washington	Bridge	Guardrail	Other	C.A.T.1	174.9585728	US	US-64	70	7
Washington	Bridge	Guardrail	C.A.T.1	Other	217.5642912	US	US-64	71	7
Washington	Bridge	Guardrail	Other	C.A.T.1	167.9042388	US	US-64	72	7
Washington	Bridge	Guardrail	Other	C.A.T.1	221.0270271	US	US-64	73	7
Washington	Bridge	Guardrail	Other	C.A.T.1	218.4204886	US	US-64	74	7
Washington	Bridge	Guardrail	Other	C.A.T.1	233.7177415	US	US-64	75	7
Washington	Bridge	Guardrail	Other	C.A.T.1	222.4057913	US	US-64	76	7

County	Use	Material	Start Structure	End Structure	Shape Length (ft)	Route Type	Route	Map ID	Map #
Washington	Bridge	Guardrail	Other	C.A.T.1	595.1134548	US	US-64	77	7
Washington	Bridge	Guardrail	Other	C.A.T.1	232.695362	US	US-64	78	7
Washington	Bridge	Guardrail	Other	C.A.T.1	307.7223701	US	US-64	79	7
Washington	Bridge	Guardrail	C.A.T.1	Other	219.5336536	US	US-64	80	7
Washington	Bridge	Guardrail	Other	C.A.T.1	174.2332385	US	US-64	81	7
Washington	Bridge	Guardrail	Other	C.A.T.1	261.9765865	US	US-64	82	7
Washington	Bridge	Guardrail	Other	C.A.T.1	170.7127157	US	US-64	83	7

PROJECT NO.	SHEET NO.	TOTAL NO.
DA00401		

SUMMARY OF QUANTITIES

PROJECT NO	COUNTY	MAP NO	ROUTE	DESCRIPTION	TYP NO	LANES	LANE TYPE	FINAL SURFACE TESTING	WARM MIX ASPHALT REQUIRED	WIDTH	MOBILIZATION	IMPACT ATTENUATOR UNITS, TYPE TL-3	REMOVE & RESET EXISTING GUARD-RAIL	GENERIC TRAFFIC CONTROL ITEM
										FT	LUMP SUM	EA	LF	LS
44847.3.1	Chowan	1	US -17	VARIOUS LOCATION		2		NO	NO	20	1	12	25	1
44847.3.1	Pasquotank	2	US 17	VARIOUS LOCATION		2		NO	NO	20	*	12	25	*
44847.3.1	Tyrrell	3	US 64	VARIOUS LOCATION		2		NO	NO	20	*	11	25	*
44847.3.1	Washington	4	US-64	VARIOUS LOCATION		2		NO	NO	20	*	48	25	*
GRAND TOTAL											1	83	100	1

STATE OF NORTH CAROLINA
 DEPT. OF TRANSPORTATION
 DIVISION OF HIGHWAYS
 RALEIGH, N.C.

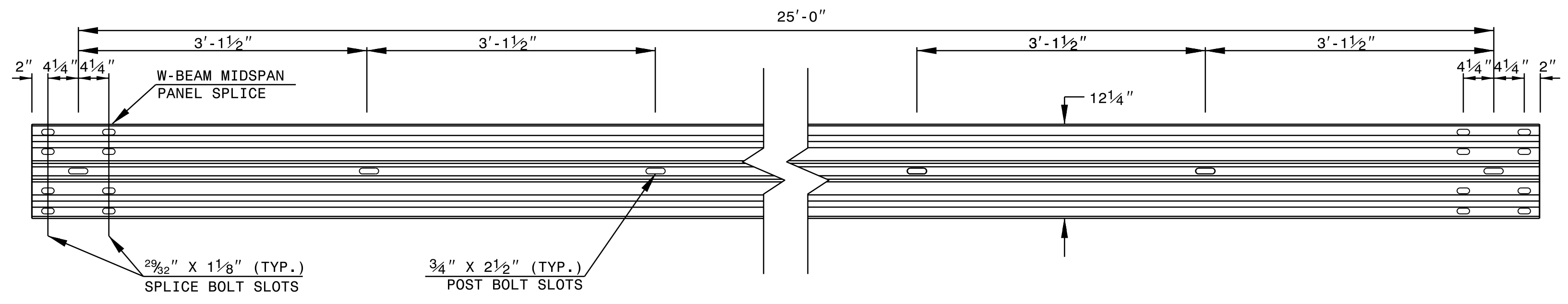
ROADWAY DETAIL DRAWING FOR
GUARDRAIL INSTALLATION

SHEET 6 OF 8
862D02

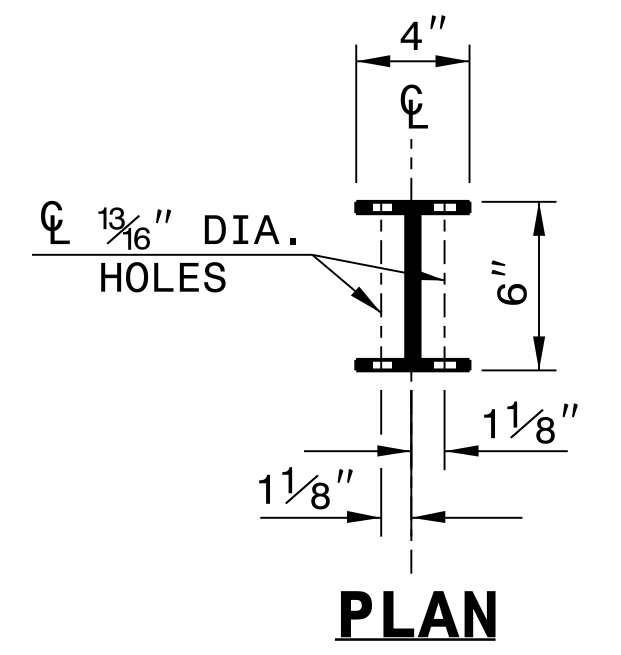
STATE OF NORTH CAROLINA
 DEPT. OF TRANSPORTATION
 DIVISION OF HIGHWAYS
 RALEIGH, N.C.

ROADWAY DETAIL DRAWING FOR
GUARDRAIL INSTALLATION

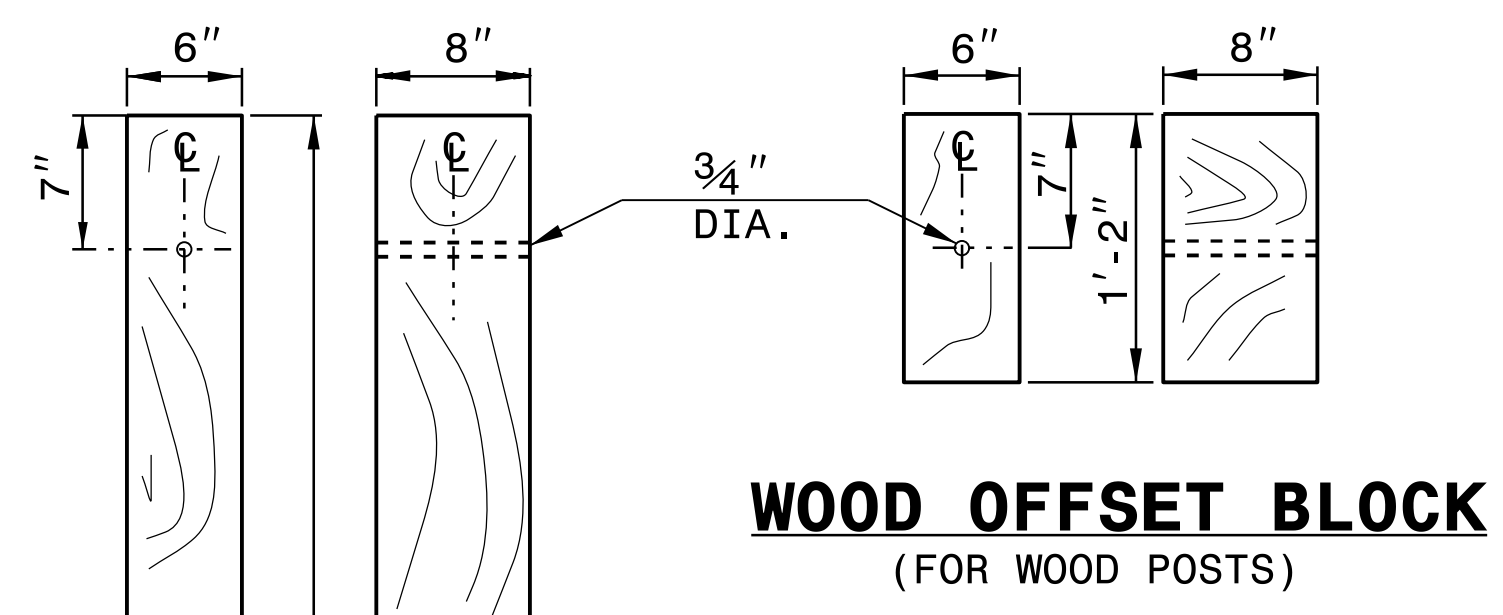
SHEET 6 OF 8
862D02



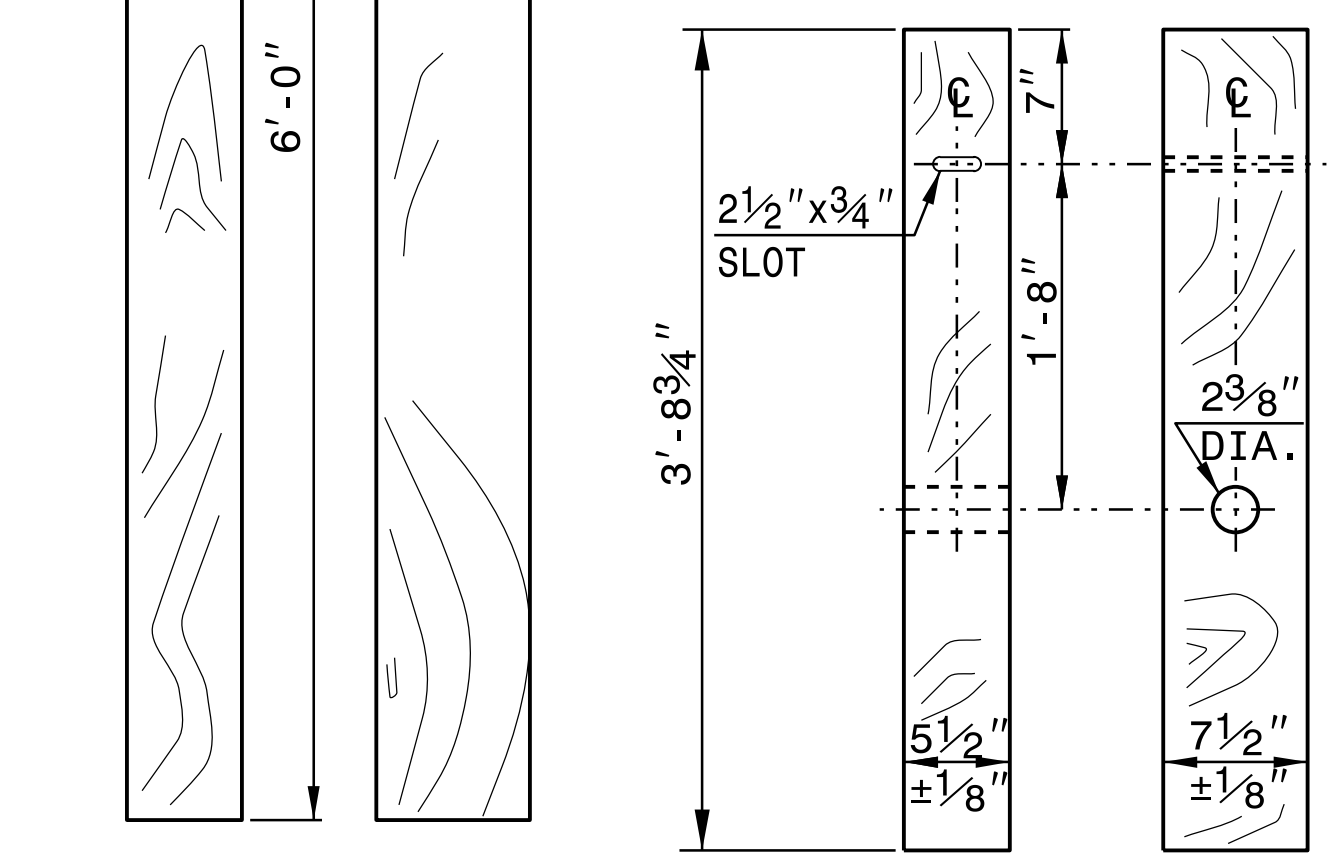
STANDARD W-BEAM GUARDRAIL



PLAN

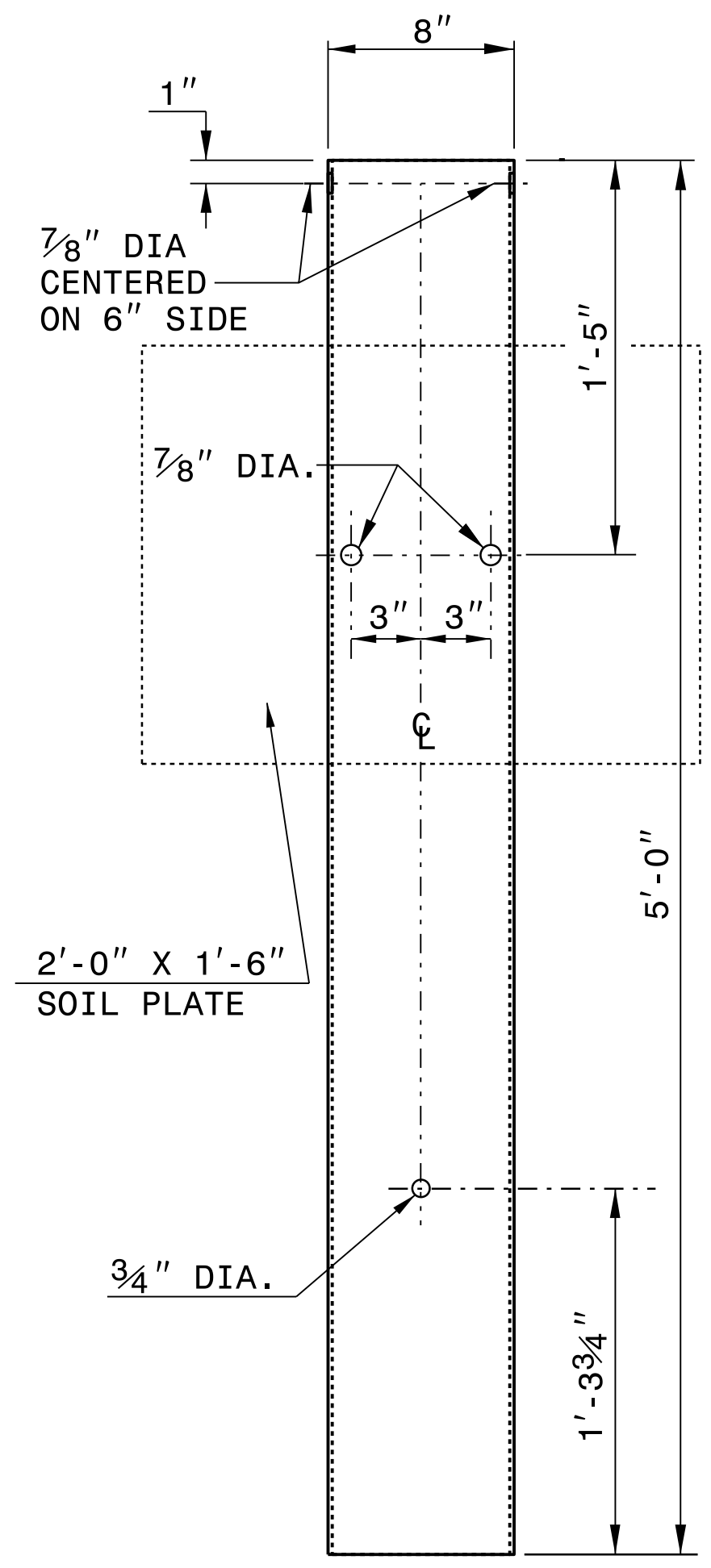


WOOD OFFSET BLOCK (FOR WOOD POSTS)

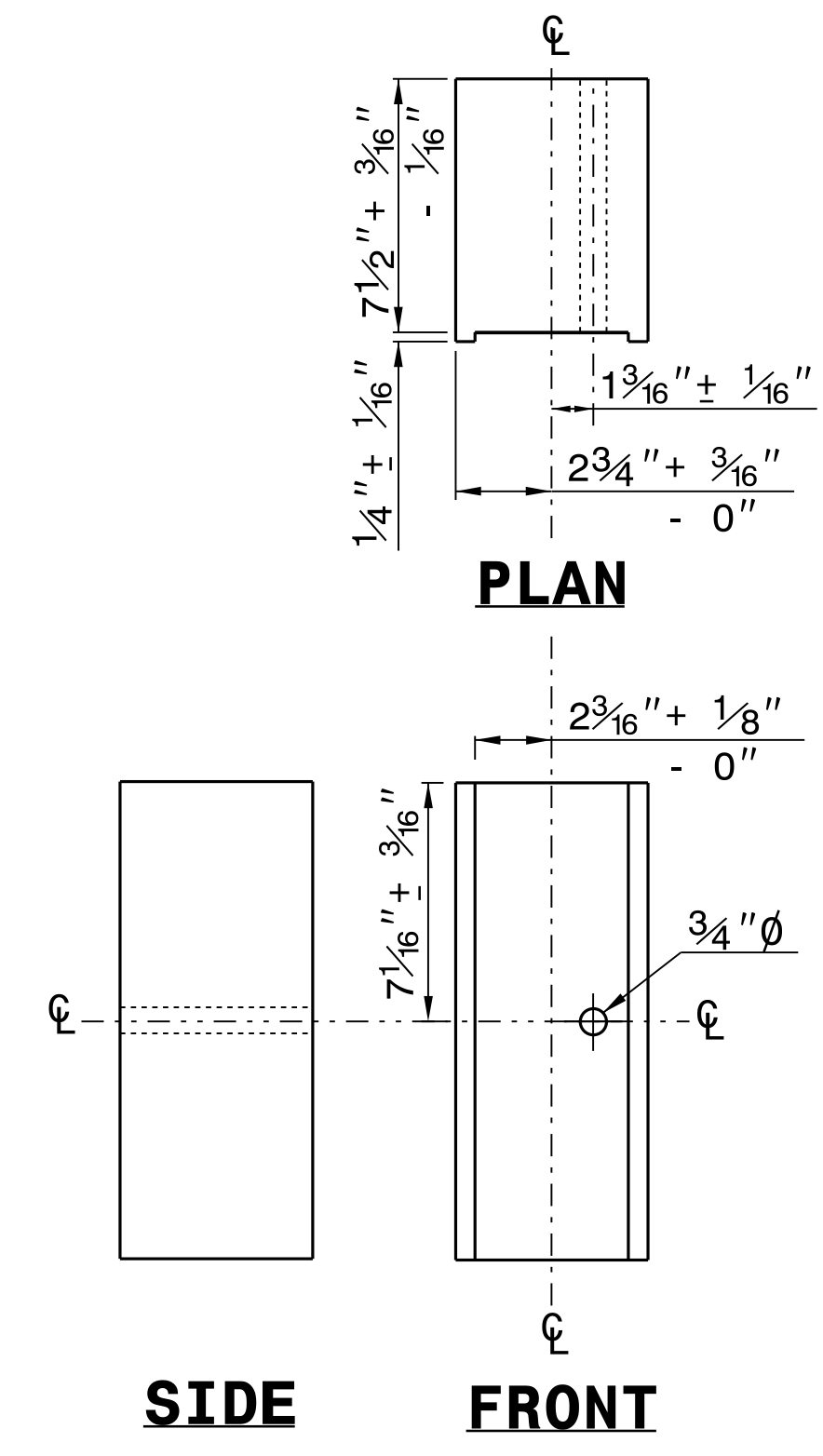


STANDARD LINE POST

SHORT WOOD BREAKAWAY POST



STEEL TUBE
 TS 6"x8"x0.1875"

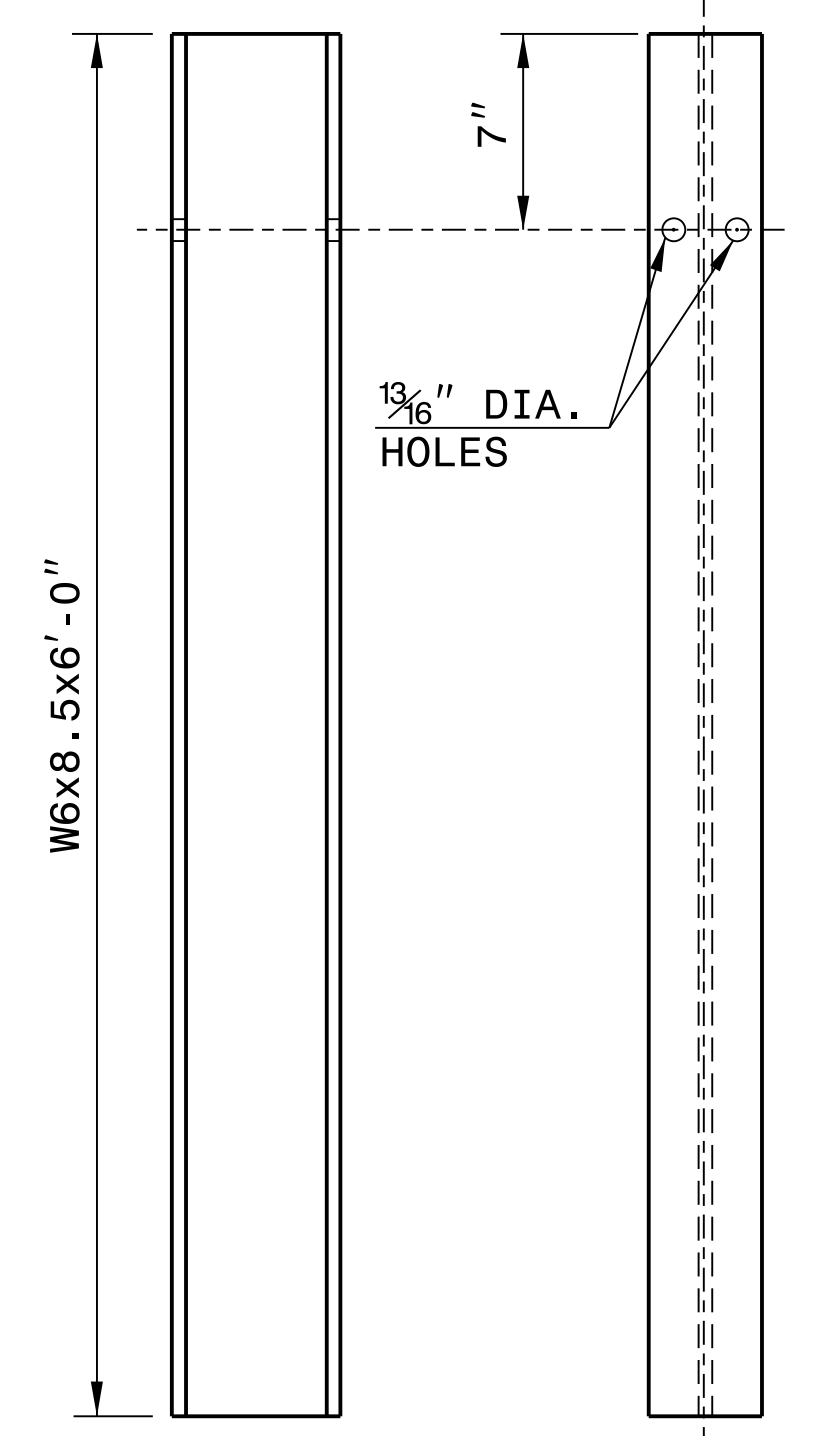


PLAN

SIDE

FRONT

ROUTED OFFSET BLOCK



SIDE

FRONT

"W6" STEEL POST

SYSTEM PARTS



CONTRACTS STANDARDS AND DEVELOPMENT UNIT
 Office 919-707-6950 FAX 919-250-4119

SEE TITLE BLOCK

ORIGINAL BY: J. HOWERTON DATE: 3-7-2018
 MODIFIED BY: DATE: _____
 CHECKED BY: DATE: _____
 FILE SPEC.: _____